

THE PROPERTY OF THIS DRAWING IS ESTABLISHED BY LAW
IT IS FORBIDDEN TO REPRODUCE IT OR SHOW IT TO THIRD PARTY
WITHOUT A WRITTEN AGREEMENT.

MODIFICATIONS: _____

VARIED DIMENSIONS AS OF DATE: _____

(7) (8) (9) (10) (11) (12)

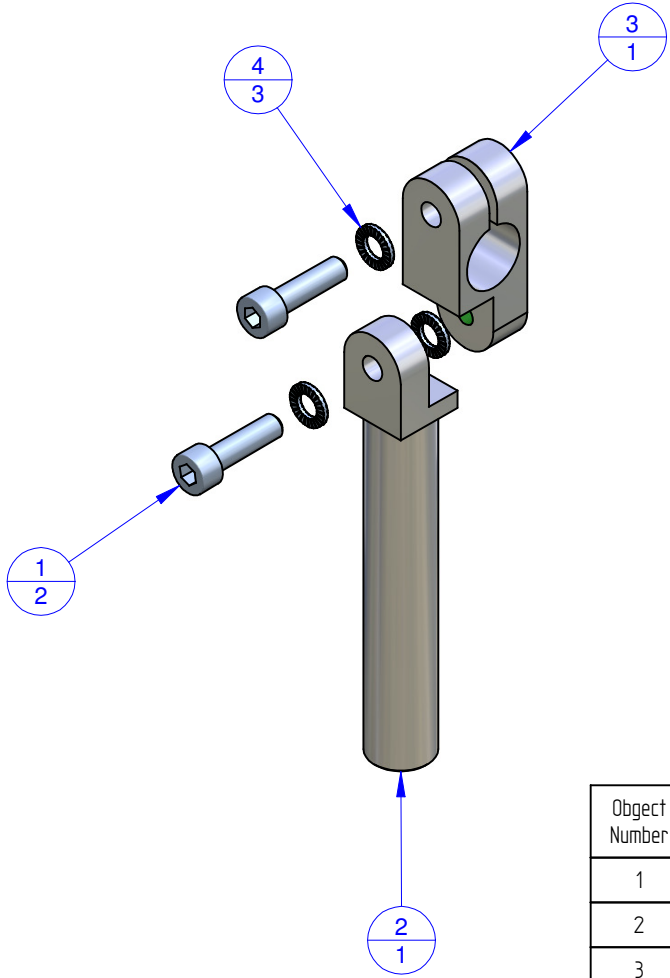
MODIFICATIONS: _____

VARIED DIMENSIONS AS OF DATE: _____

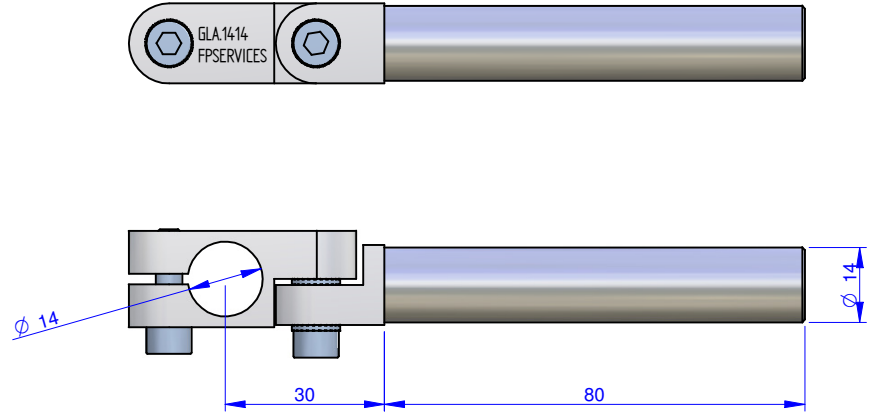
(1) (2) (3) (4) (5) (6)

Format **A3**

UNI 936-76



| Object Number | Name | QTY |
|---------------|-------------|-----|
| 1 | V.TCE M5X18 | 2 |
| 2 | GLA.14.1 | 1 |
| 3 | GLA.14.2 | 1 |
| 4 | R.5.SCH | 3 |



| | | | |
|--|--|---------------------------------------|--------------------|
| | | DESIGNED FROM FPSERVICES | |
| | | DATE 12/2014 | WEIGHT 0,052 kg |
| GENERAL TOLERANCE: UNI - ISO 2768 CLASSE f | | DESCRIPTION CA.GLA.1414 | |

